



### Floodlight, max. 2x 400 W for HST/HIT lamps

<b>Design</b>	According to rules of maritime classification societies and relevant standards
<b>Housing</b>	Stainless steel, 1.4404 (AISI 316L) seamless deep drawn, powder coated white (RAL9016)
<b>Cover</b>	Tempered glass, DIN 12150
<b>Mounting</b>	Stainless steel brackets, adjustable
<b>Reflector</b>	Aluminium anodized, wide or narrow beam angle
<b>Cable entry</b>	Junction box, cable gland brass with earthing insert
<b>Ballast</b>	Ballast unit VG76 has to be ordered separately (see page 17)
<b>Wiring</b>	Flexible wiring, high temperature resistant
<b>Protection class</b>	IP67
<b>Weight</b>	14.0 kg

### Extras

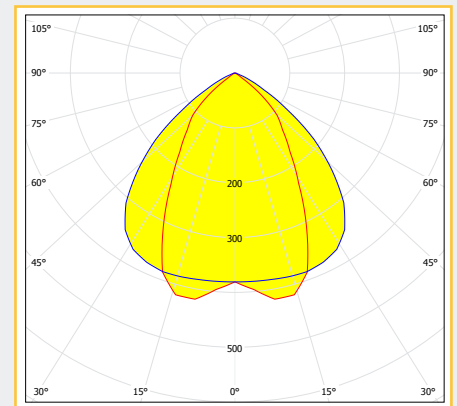
Different cable glands on request

E39 lamp holder

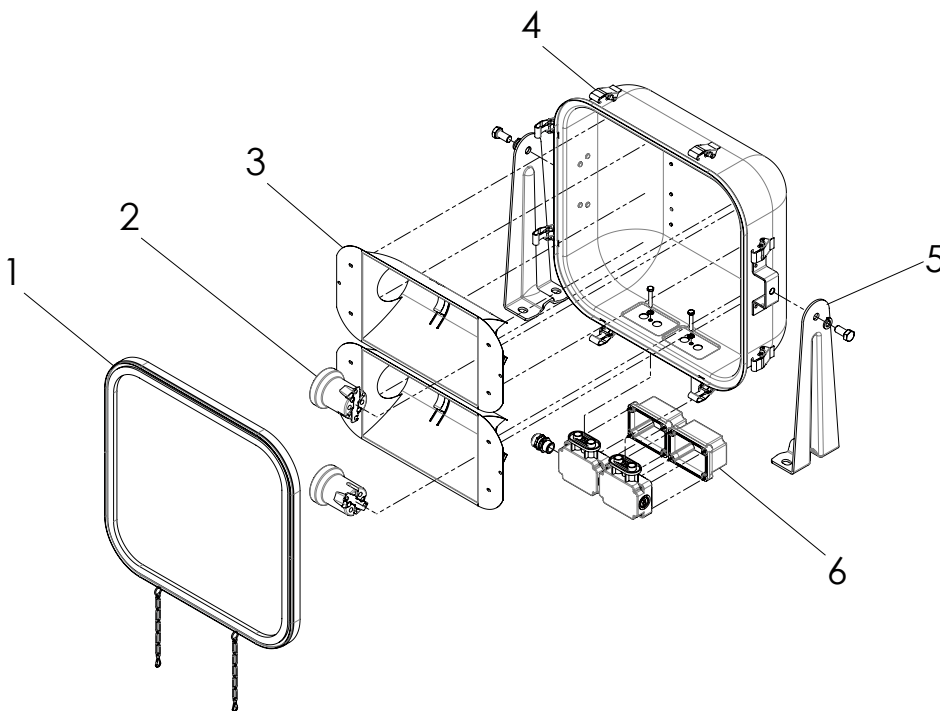
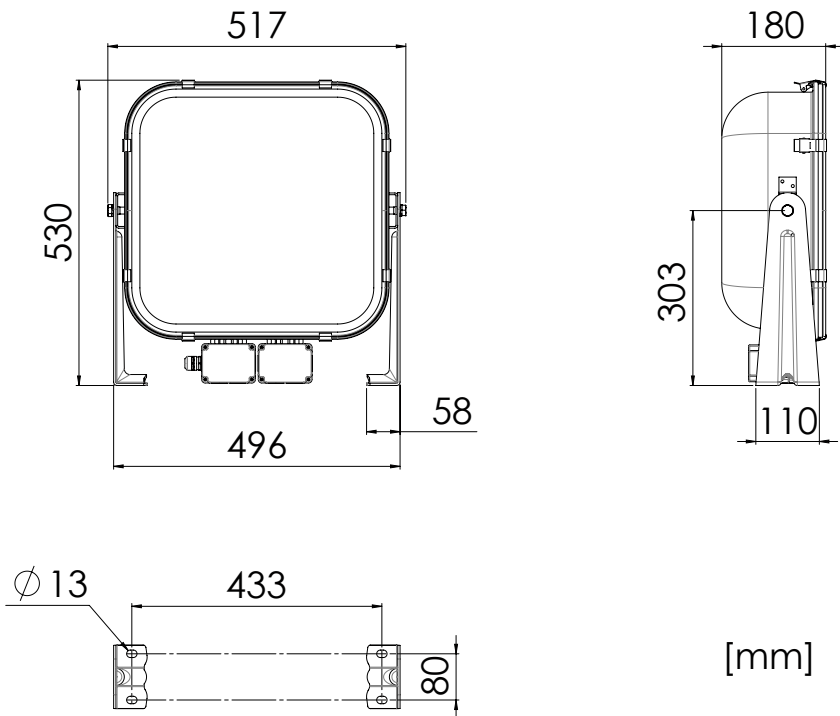
Part no. Wide beam 5101000700-000  
Narrow beam 5101000700-003

<b>Light source</b>	HST/ HIT lamp (not included)
<b>Lamp base</b>	E40
<b>Wattage</b>	2x 250 W 2x 400 W
<b>Voltage</b>	230 V AC
<b>Frequency</b>	50 Hz or 60 Hz

wide



Part no. 5101000700-xxx



Spare parts		Part no.
1	Cover with frame	7902001700
2	Lamp holder E40	7111001400
3a	Reflector wide beam	7901000600
3b	Reflector narrow beam	7901001000
4	Clamps (8 pcs)	7106001800
5	Bracket	7501006200
6	Box with ignitor	7104000200