



Floodlight, max. 2x 400 W for HST/HIT lamps

Design	According to rules of maritime classification societies and relevant standards
Housing	Stainless steel, 1.4404 (AISI 316L) seamless deep drawn, powder coated white (RAL9016)
Cover	Tempered glass, DIN 12150
Mounting	Stainless steel brackets, adjustable
Reflector	Aluminium anodized, wide or narrow beam angle
Cable entry	Junction box, cable gland brass with earthing insert
Ballast	Ballast unit VG76 has to be ordered separately (see page 17)
Wiring	Flexible wiring, high temperature resistant
Protection class	IP67
Weight	14.0 kg

Extras

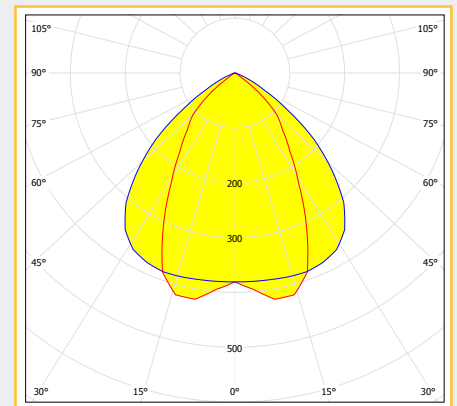
Different cable glands on request

E39 lamp holder

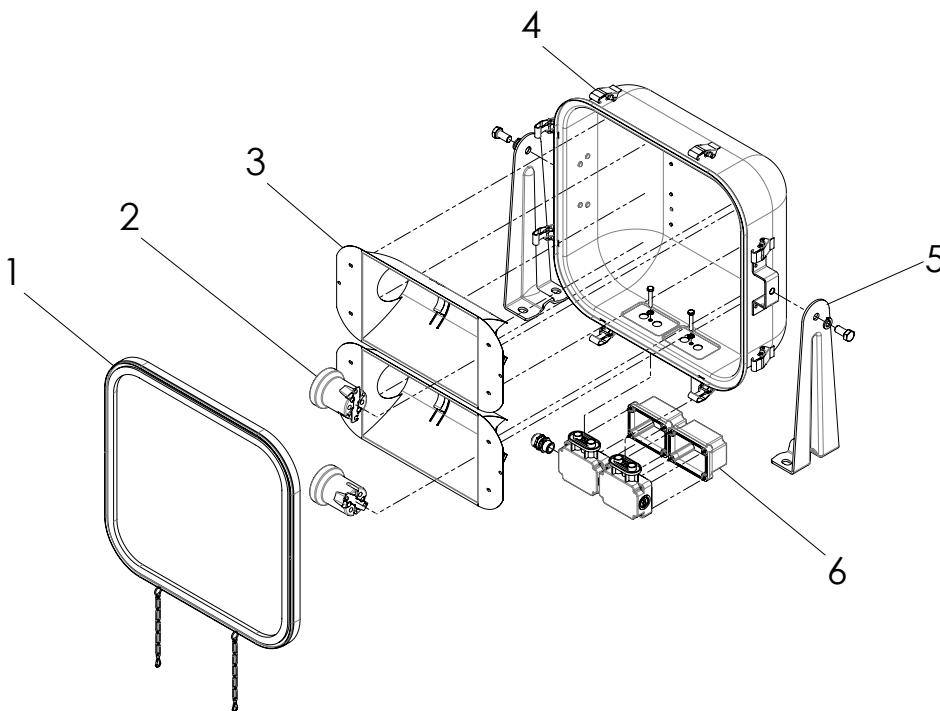
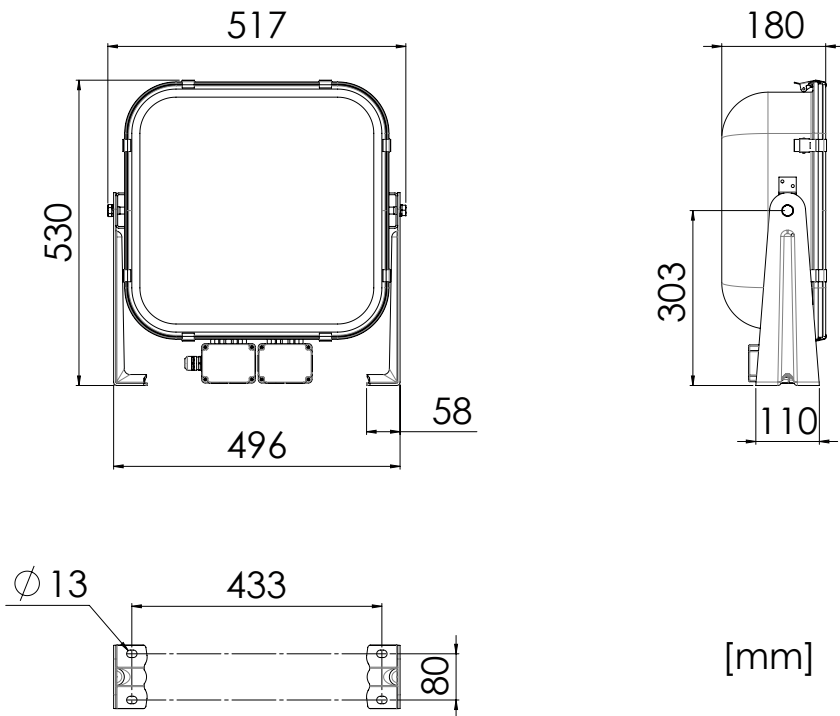
Part no. Wide beam 5101000700-000
Narrow beam 5101000700-003

Light source	HST/ HIT lamp (not included)
Lamp base	E40
Wattage	2x 250 W 2x 400 W
Voltage	230 V AC
Frequency	50 Hz or 60 Hz

wide



Part no. 5101000700-xxx



Spare parts		Part no.
1	Cover with frame	7902001700
2	Lamp holder E40	7111001400
3a	Reflector wide beam	7901000600
3b	Reflector narrow beam	7901001000
4	Clamps (8 pcs)	7106001800
5	Bracket	7501006200
6	Box with ignitor	7104000200